

# Room Temperature Sensor



Model TE-205-EU

RoHS



## SPECIFICATIONS:

- **Platinum RTD sensors:**  
+/- 0.1% @ 0 C, Alpha : 385 per DIN 43760
- **Nickel RTD sensors: (#2)**  
+/- 0.5 C @ 0 C, 5000 PPM/K T.C.R.
- **Nickel RTD sensors: (#4)**  
+/- 0.5 F @ 70 F / 21.1 C, 6000 PPM/ K T.C.R.
- **Balco RTD sensors:**  
+/- 0.5 F @ 70 F / 21.1 C, 4300 PPM/K T.C.R.
- **Thermistor sensors:**  
+/- 0.2 C interchangeability @ 77 F / 25 C
- **Operating Temp:** -40F/-40C to 140F/60C
- **Enclosure:** White ABS Plastic
- **RoHS Compliant**

## ORDERING INFORMATION: TE-205-EU-

### Temperature Sensor

- 1 100 ohm Platinum RTD
- 2 1,000 ohm Nickel RTD (5000 PPM)
- 3 1,000 ohm Platinum RTD
- 4 1,000 ohm Nickel RTD (6000 PPM)
- 5 1,000 ohm Balco RTD
- 7 10,000 ohm NTC thermistor (Type III)
- 8 10,000 ohm NTC thermistor (Carel)
- 10 3,000 ohm NTC thermistor
- 12 10,000 ohm NTC thermistor (Type II)
- 13 5,000 ohm NTC thermistor
- 14 1,035 ohm Silicon PTC
- 15 100,000 ohm NTC thermistor
- 16 10,000 ohm NTC thermistor (Eliwell)
- 17 20,000 ohm NTC thermistor
- 18 2,252 ohm NTC thermistor
- 21 1,800 ohm NTC thermistor

**Example: TE-205-EU-3:** Room temp sensor with 1,000 ohm Platinum RTD.

\* For sensor compatibility, please refer to TI.700-10.

\*\* For complete Resistance vs. Temperature tables, please refer to TI.700-11.



8189 Century Boulevard • Minneapolis, MN 55317-8002 • USA  
800-843-5116 • 952-556-4900 • Fax 952-556-4997  
sales@mamacsys.com • www.mamacsys.com

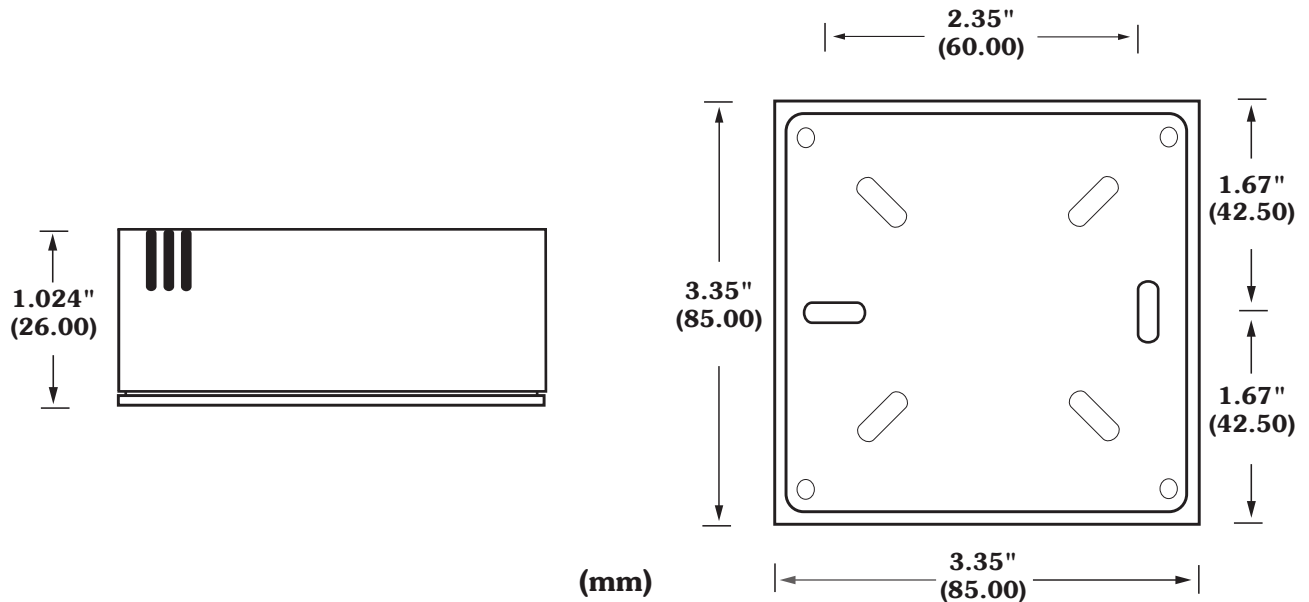
4200 Waterside Centre  
Solihull Parkway  
Birmingham • West Midlands  
B37 7YN • United Kingdom  
01384-271113 • Fax 01384-271114

1 Fullerton Road #02-01  
One Fullerton  
Singapore • 049213  
65-31581826 • Fax 65-31581826

4 Armiger Court, Unit 2  
Adelaide • S.A.  
5088 • Australia  
08-8395-4333 • Fax 08-8395-4433

675 Cochrane Drive  
East Tower • 6th Floor  
Toronto • Ontario  
L3R 0B8 • Canada  
905-474-9215 • Fax 905-474-0876

# TE-205-EU



**WARRANTY:** MAMAC Systems, Inc. and its subsidiaries (hereinafter referred to as MAMAC Systems) warrants its products to be free of defects in material and workmanship for a period of five (5) years from date of shipment. If a unit is malfunctioning, it must be returned to the factory for evaluation. A return authorization number (RMA) will be issued by the customer service department and this number must be written or prominently displayed on the shipping boxes and all related documents. The defective part should be shipped freight pre-paid to the factory. Upon examination by MAMAC Systems, if the unit is found to be defective, it will be repaired or replaced at no charge to the customer. However, this warranty is void if the unit shows evidence of being tampered with, damaged during installation, misapplied, misused, or used in any other operating condition outside of the unit's published specifications.

**MAMAC Systems makes no other warranties or representations of any kind whatsoever, expressed or implied, except that of title. All implied warranties including any warranty of merchantability and fitness for a particular purpose are hereby disclaimed. User is responsible to determine suitability for intended use.**

**LIMITATIONS OF LIABILITY:** The remedies of buyer set forth herein are exclusive and the total liability of MAMAC Systems with respect to this order, whether based on contract, warranty, negligence, indemnification, strict liability or otherwise, shall not exceed the purchase price of the product upon which liability is based. **In no event shall MAMAC Systems be liable for consequential, incidental or special damages.** MAMAC Systems reserves the right to change any specifications without notice to improve performance, reliability, or function of our products.

Every precaution for accuracy has been taken in the preparation of this manual, however, MAMAC Systems neither assumes responsibility for any omissions or errors that may appear nor assumes liability for any damages that result from the use of the product in accordance with the information contained in the manual.



8189 Century Boulevard • Minneapolis, MN 55317-8002 • USA  
800-843-5116 • 952-556-4900 • Fax 952-556-4997  
sales@mamacsys.com • www.mamacsys.com

4200 Waterside Centre  
Solihull Parkway  
Birmingham • West Midlands  
B37 7YN • United Kingdom  
01384-271113 • Fax 01384-271114

1 Fullerton Road #02-01  
One Fullerton  
Singapore • 049213  
65-31581826 • Fax 65-31581826

4 Armiger Court, Unit 2  
Adelaide • S.A.  
5088 • Australia  
08-8395-4333 • Fax 08-8395-4433

675 Cochrane Drive  
East Tower • 6th Floor  
Toronto • Ontario  
L3R 0B8 • Canada  
905-474-9215 • Fax 905-474-0876